

# LIGHT MASTER 1 High Efficiency Floodlight



## CHARACTERISTICS

- Body, rear cover and glass frame in die cast aluminium with primary alloy and low copper content, with a high weather proof rating.
- Front tempered glass resistant to high temperatures and to thermal shock.
- Anti-ageing gaskets in silicon rubber.
- Connection box in special self-extinguish plastic material, complete with ignitor.
- Two pressure compensation filters in teflon.
- Insulation class I.
- Protection degree against external impacts: IK 08.
- Floodlight body weight Kg 13,50.
- Wind exposed surface with tilt 0,20 = 0,70 m<sup>2</sup>.
- The projector can be equipped with the innovative and efficient metal halide lamp 2000W high flow (230000 lm), requiring the versions especially designed for this lamp. Even the power
- The mounting distances between the gear box and the body can be up to 50 meters, as the ignitor is fitted within the rear housing of the projector.
- Designed for indoor and outdoor applications.
- Hot Restrike version for short arc lamp available on request



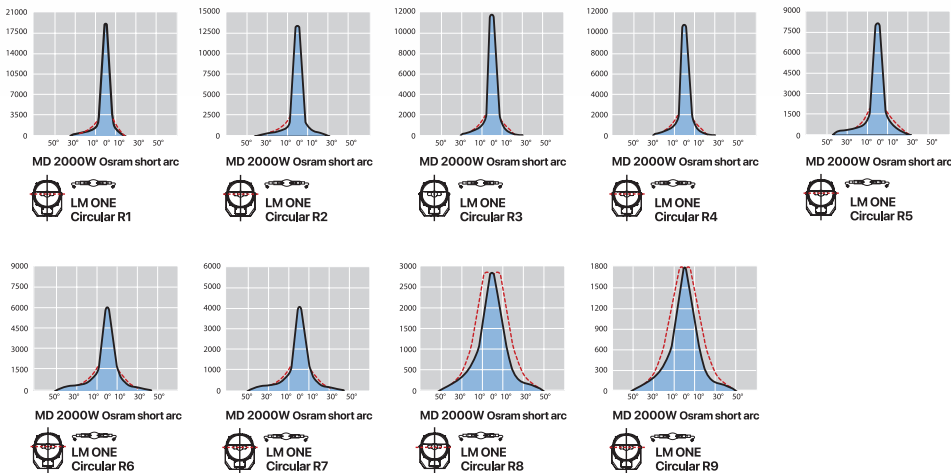
## OPTICAL SYSTEM

High Intensity paraboloid rotational reflector, made by optics R1, R2, R3, R4, R5, R6, R7, R8, R9 for short arc lamps. The careful study of the optics and the choice of high-performing materials allows an excellent control of the luminous flux and a considerable glare reduction thanks to the centering device of the lamp.

The deflector allows a huge glare reduction, providing an excellent visual comfort.

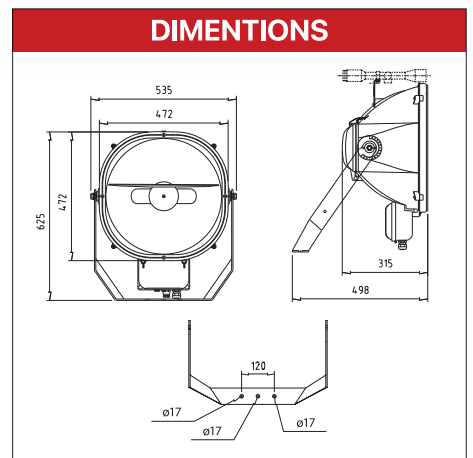


## PHOTOMETRIC DATA



## APPLICATION

Sport facilities, even with HD television coverage, Large and industrial areas such as sea ports, terminal docks, Container storage & railway yards, Airstrips.



# LED MASTER 1 High Efficiency Floodlight



## CHARACTERISTICS

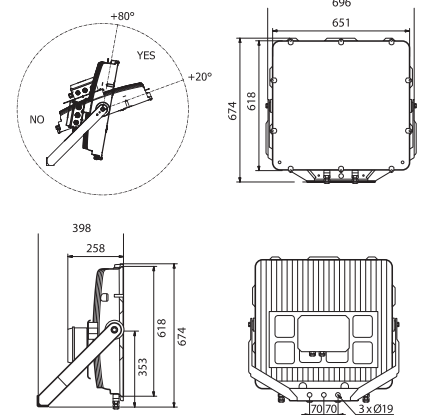
- One piece body in die-cast aluminum with high resistance to atmospheric agents.
- Internal driver configuration.
- External on board and remote driver configurations.
- Pressure compensation filters in Teflon.
- Gaskets in anti-aging silicone material, removable.
- INFINITY protection system: extra-clear tempered glass protection screen, 4mm thick, made in a single piece, without fixing ring.
- CLI : up to 10kV/10kA, both in common and differential mode as in the gear box there's a Surge •
- Protection Device (SPD). On request is possible to integrate the SPD for protection up to 10kV/20kA.
- Power supply unit consisting of a programmable driver with a lifespan greater than 100,000h and only %10 of failure rate.
- Total harmonic distortion (THD) %20 at full load.
- LED driver with thermal protection and short circuit protection.
- Power correction factor at full load > 0.9.
- Power supply 240 - 220V / 50 Hz VAC

## OPTICAL SYSTEM

- LIVE SPORT symmetric optics designed in-house, for professional lighting sports facilities.
- Composed of metallized techpolymer reflectors in a vacuum with high efficiency and durability.
- Available in nine different beams and light intensity, from S1 to S9.
- Extra-clear tempered glass protection screen, 4mm thick, made in a single piece, without fixing ring.
- High Power LED technology on a pressed aluminum circuit, highly heatdissipating MCPCB (Metal Core Printed Circuit Board).
- Color temperature (tolerance  $\pm$  400K):
  - 5000K – CRI >70;
  - 5700K – CRI >80.



## DIMENSIONS



### MAINTAINED AVERAGE LUMINOUS FLUX ACCORDING TO LM80 - TM21 STANDARDS

|             |        |
|-------------|--------|
| >100.000 HR | L80B10 |
| >50.000 HR  | L90B10 |
| >50.000 HR  | L80B10 |

Operating temperature for luminaires

ta\* 35°: -40°C ÷ +40°C  
ta\* 50°: -40°C ÷ +55°C

## APPLICATION

Sport facilities, even with HD television coverage, Large and industrial areas such as sea ports, terminal docks, Container storage & railway yards, Airstrips.

