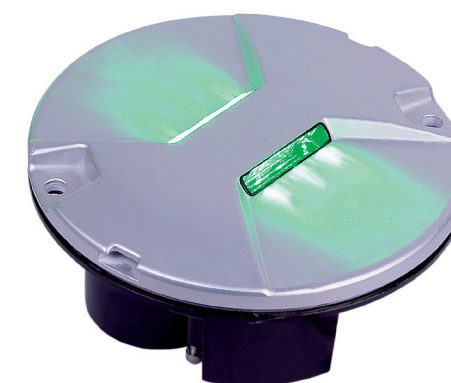


تهران، بزرگراه شیخ فضل ا... نوری، خیابان سازمان آب، خیابان حاجی پور امیر، کوچه مهدی، پلاک ۱
No.1, Mahdi Alley, Haji Pour Amir St., Sazman Aab Ave., Sheikh Fazlollah Nouri Highway, Tehran, IRAN

Email info@tmb-co.com | فکس ۰۲۱ ۸۸۲۶ ۰۷۰۷ | تلفن ۰۲۱ ۸۷۷۴۰ | کدپستی ۱۴۵۴۶۴۳۶۸۵
Web www.tmb-co.com | Fax 98 21 8826 0707 | Tel 98 21 87740 | P.O Box 1454643685

LITC LED Inset Taxiway Centreline Stop Bar & Intermediate Holding Posting Light



- No optical adjustment after LED module or prism replacement
- Valve for watertightness test after overhaul
- Operating with any topology of CCRs designed in compliance with IEC or FAA requirements

* For monitored fixtures, isolation transformer max size: 200VA

▶ PERFORMANCES

- The electronic is strong-built and highly resistant to shock and vibration
- Automatic adaptation to the frequency of the supply current
- A surge protection device is provided in the electronics as required by the FAA "Engineering Briefing No.67"
- Immediate detection of an internal fault
- 6.35 mm protrusion strongly reduces vibrations to aircrafts and to light itself, increasing its lifetime
- Dome smooth outer profile makes the light less sensitive to snowplough blades
- Bidirectional or unidirectional, 8" dia
- Drop-forged dome and cast aluminium lower cover make the fitting sturdy, but lightweight too for ease handling in the field
- Light output practically not affected by heavy rainfall thanks to the shallow channel in front of the prism windows
- O-Ring placed outside the dome to avoid dirt deposits between light and base
- Protection degree: IP68
- Temperature range: -45°C to +55°C

▶ INSTALLATION

- Suitable for 8" or 12" dia. bases
- Adaptor ring for 8" light installation on 12" dia. bases
- Specific tools available for easy and precise installation

▶ COMPLIANCES

- ICAO** Annex 14 - Volume I Fig. A2-12-13-14-15-16
- EASA** CS-ADR-DSN Fig. U,20 -16 ,17 ,18 19
- FAA** L-852A-B-C-D-J-K(L) AC150/5345-46 and EB No.67
- IEC** TS 61827
- NATO** STANAG 3316
- CAA** CAP 168
- TCCA** TP312
- CASA** Manual of Standards Part 139

▶ APPLICATIONS

Taxiway centreline, stopbar and intermediate holding positions for ICAO CAT I,II and III, FAA and military taxiway

▶ BENEFITS

- 60000 hours LED rated life at full intensity, but over 100000 hours in field operating conditions
- In new installation, LED lights mean lower loads, lower size of CCRs and transformers, thus low life cycle costs
- The light output is variable like a traditional halogen lamp, as indicated by the FAA "Engineering Briefing No.67"
- Colour emitted directly by LEDs : absence of coloured filters ensures no energy losses and no colour shifts
- Fully compatible with existing AFL infrastructure*
- Designed with simplicity allowing longer maintenance intervals and fewer spare parts
- No use of sealant to fix the prisms in the dome thanks to customized gaskets, making their replacement quick and easy



MAIN COMPONENTS OF THE LIGHT UNIT

- 1 : Dome (Upper Cover)
- 2 : O-Ring for dome
- 3 : Prism Gasket
- 4 : Prism
- 5 : Prism holder gasket
- 6 : Mounting plate
- 7 : Reflector and Led Module
- 8 : Lower cover with electronic
- 9 : Lower cover gasket
- 10 : Gland
- 11 : Plug

*Refer to the relevant technical manual for the complete list of the available spare parts

PHOMETRIC PERFORMANCE

Fig.1 ICAO A2-12 Straight Section - Yellow

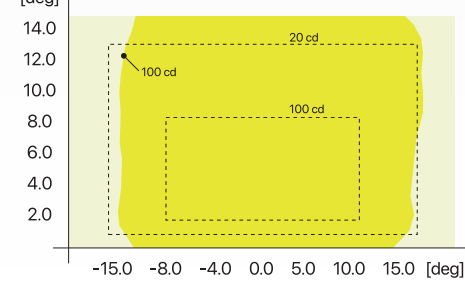


Fig.2 ICAO A2-12 Straight Section - Green

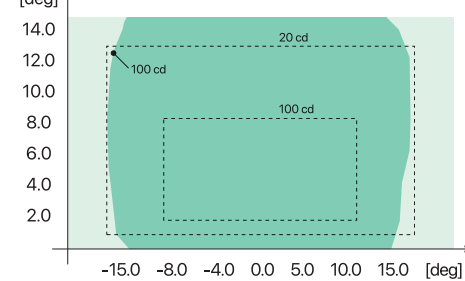
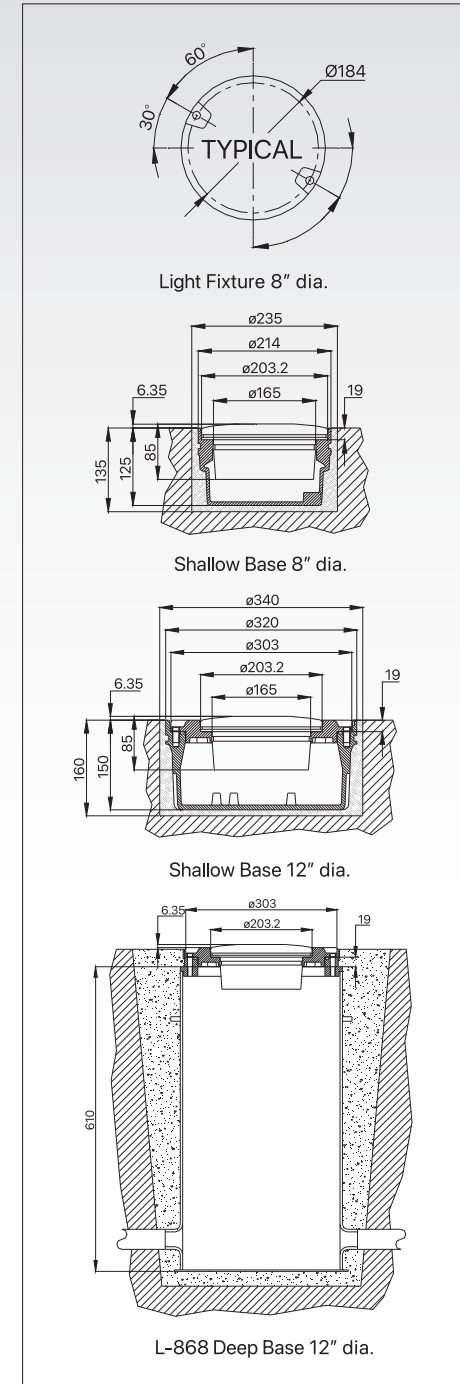
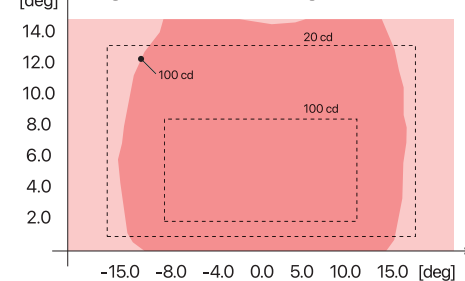


Fig.3 ICAO A2-12 Straight Section - Red



POWER CONSUMPTION*		
Electrical System	1 Plug	2 Plugs
Unidirectional 12-"8" (w/o Arctic Kit)	7 VA	-
Unidirectional 8" (with Arctic Kit)	27 VA	-
Unidirectional 12" (with Arctic Kit)	47 VA	-
Bidirectional 12-"8" (w/o Arctic Kit)	12 VA	14 VA
Bidirectional 8" (with Arctic Kit)	32 VA	54 VA
Bidirectional 12" (with Arctic Kit)	52 VA	94 VA

* Measured at 6.6 A and referred to the highest consumption configuration

SHIPPING WEIGHTS & VOLUMES			
	Light Unit	Shallow Base	Light Unit & Adaptor Ring
Weight(kg)	3.6	3.2	6.75
Volume(m ³)	0.007	0.007	0.013

POWER FACTOR		
Input Step	2.8A	6.6A
Power Factor	0.96	0.98

Basic P/N

- 8 = 08" Fixture (Supply Cable L =25cm)
- 12 = 12" Fixture (Supply Cable L =46cm)

Compliance

- I = ICAO CAT III
- S = ICAO CAT I-II

Colocr (Side A)/(Side B)

- G = Green
- Y = Yellow
- R = Red

Arctic Kit

- O = Without Arctic Kit
- A = With Arctic Kit

Monitoring

- O = Without Monitoring
- M = With Monitoring

Mounting Assembly

- O = No Mounting Assembly
- R = Adaptor Ring 8" -12" dia.

Electrical System

- 1P = One Plug
- 2P = Two Plugs
- 1F = One Plug (Only for Type 08, L = 46cm)
- 2F = Two Plugs (Only for Type 08, L = 46cm)

LITC I GG 2P O M A

